

---

*Bed*



01



15



05



08



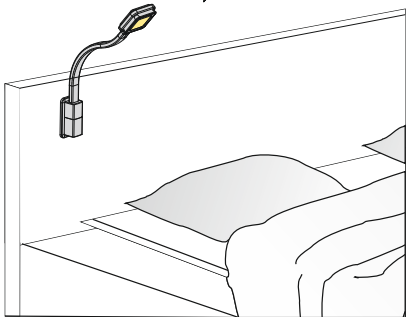
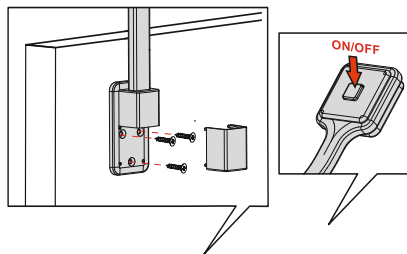
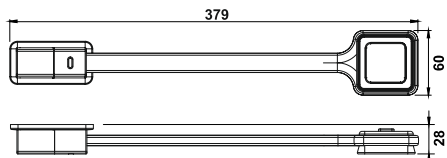
09



11

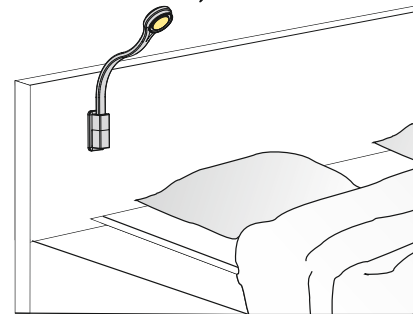
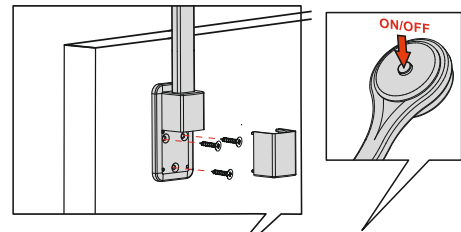
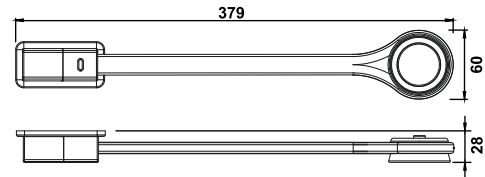
FLEXI Q2	01	NEON 5x13 FLEX / TOUCH SWITCH FP	24
FLEXI R2	02	DOUBLE USB SWITCH (AC) / USB CHARGER(AC) / USB	
FLEXI Q	03	CHARGER-R	25
FLEXI R	04	USB/T CHARGER AC	26
FLEXI S	05	RF PIR&TOUCH	27
FLEXI S MINI	06	WIRELESS CHARGER	28
SILKA / SILKA USB	07		
SILKA COM	08		
KINKIET	09		
GRACE	10		
RUSTICA	11		
RUSTICA L	12		
COMA	13		
COMA COM	14		
INLINE / INLINE-L	15		
VIVA R	16		
GABI R / GABI R-USB	17		
GABI Q	18		
GABI Q-P	19		
PEAK	20		
NEON 8x15 FLEX   BED SWITCH L DUO	21		
PROFIL AP 2H   TOUCH SWITCH WITH DIMMER	22		
PROFIL 10X20   DUO SWITCH NORMAL			
BED SWITCH DUO	23		

# FLEXI Q2

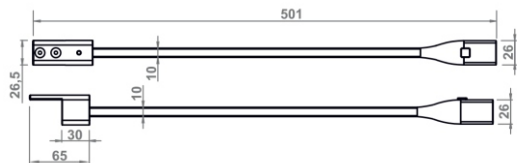
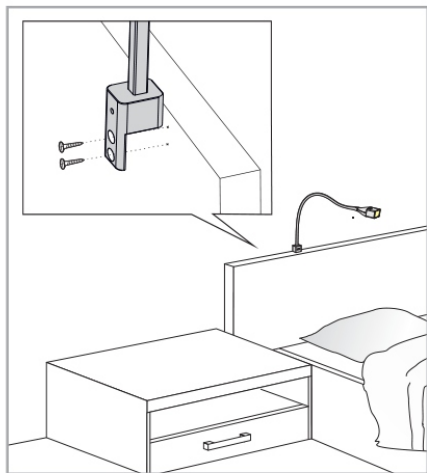




# FLEXI R2



# FLEXI Q





# FLEXI R



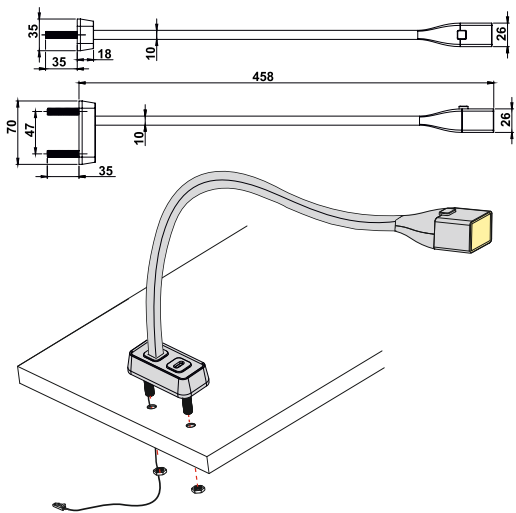
reddot award 2017  
winner lighting design



## FLEXI R/H

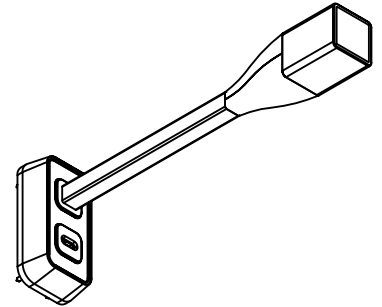
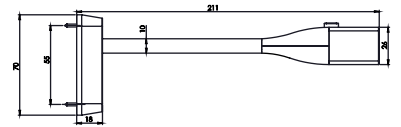
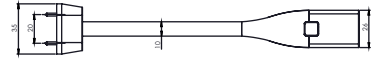


# FLEXI S

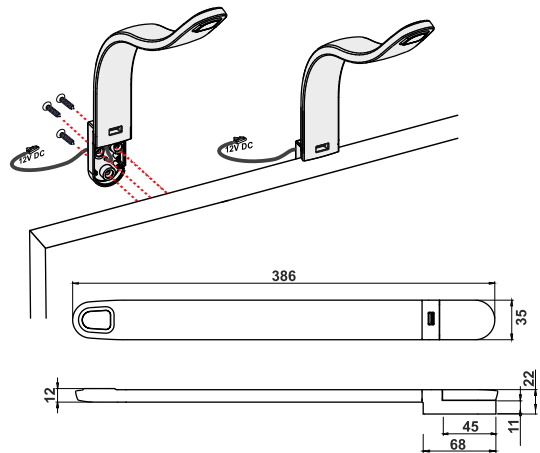




# FLEXI S MINI

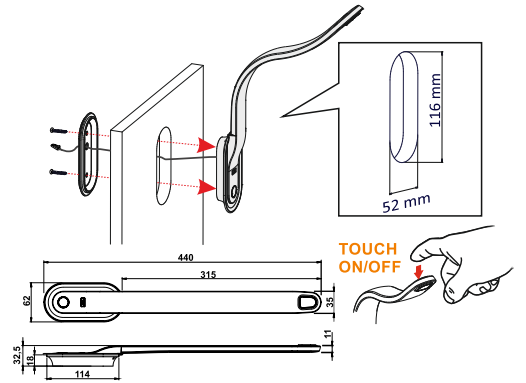


# SILKA

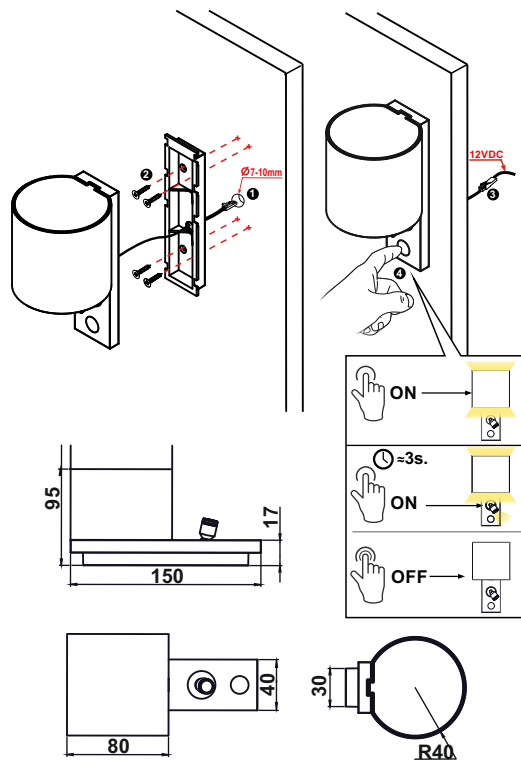




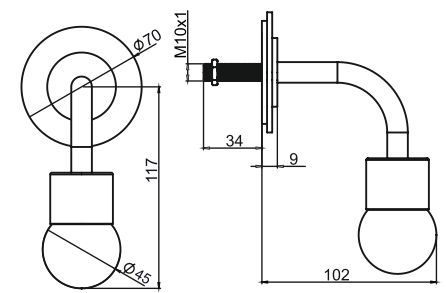
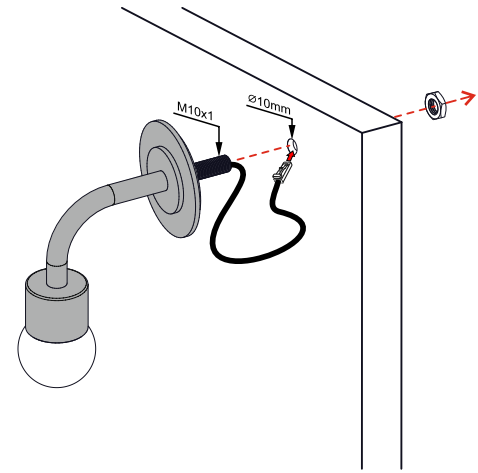
# SILKA COM



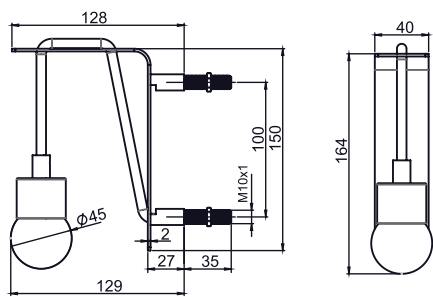
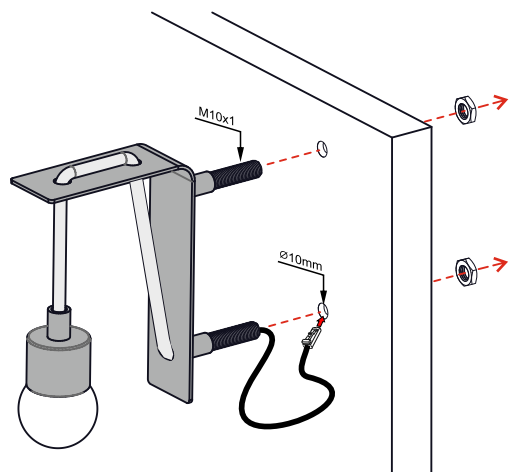
# KINKIET



# GRACE

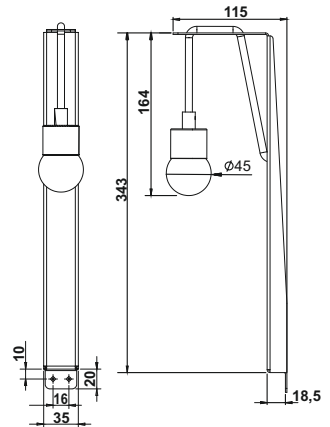
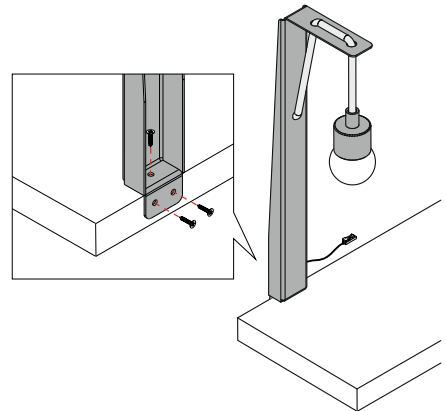


# RUSTICA

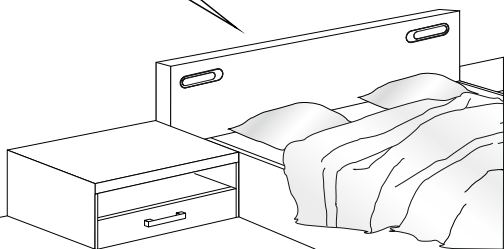
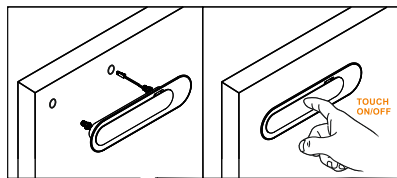
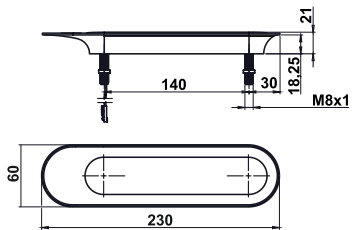




# RUSTICA L

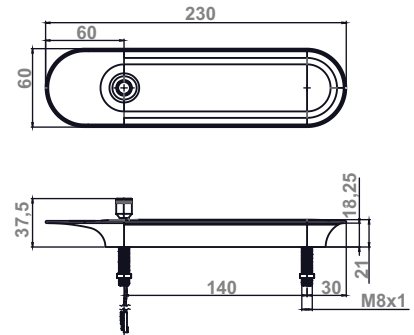
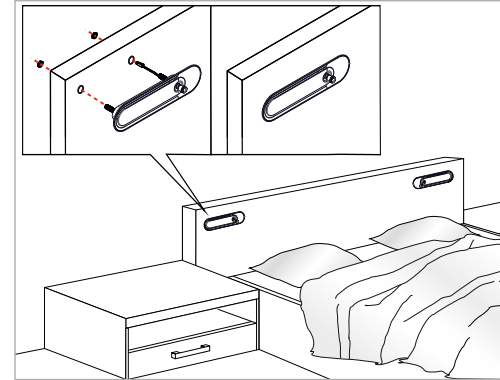


# COMA

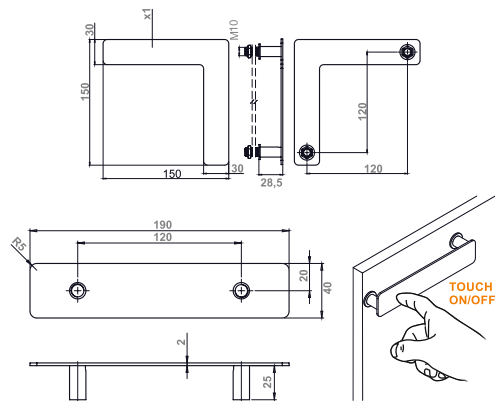




# COMA COM



# INLINE



# INLINE

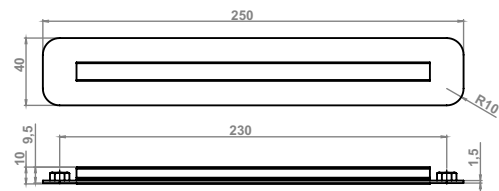
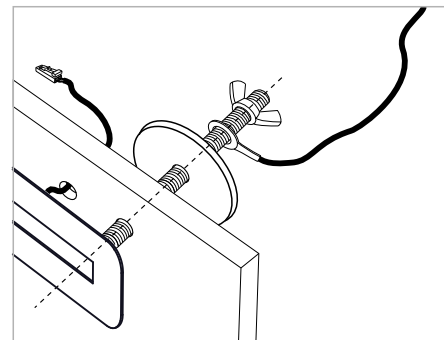


# INLINE-L

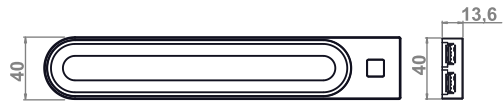




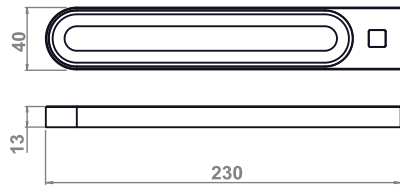
# VIVA R



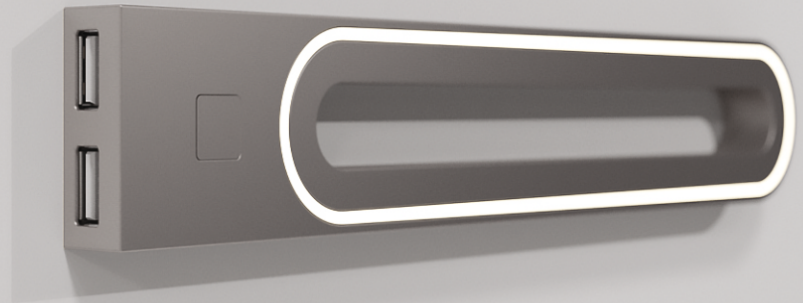
## GABI R/USB



## GABI R



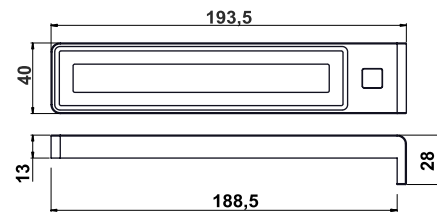
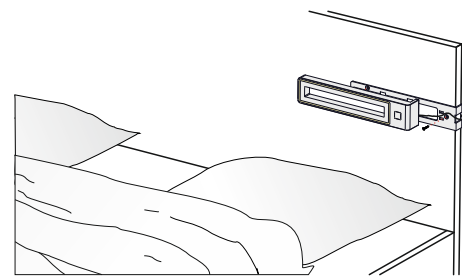
## GABI R/USB



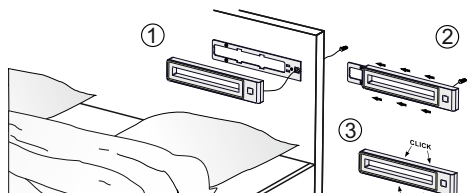
GABI Q



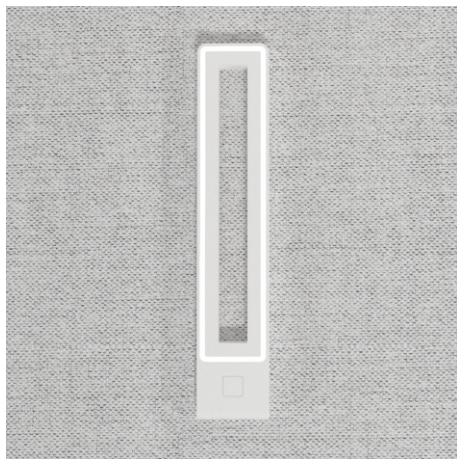
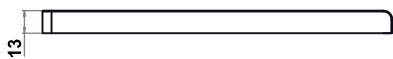
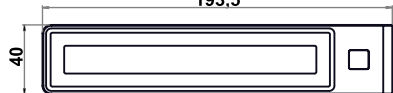
GABI

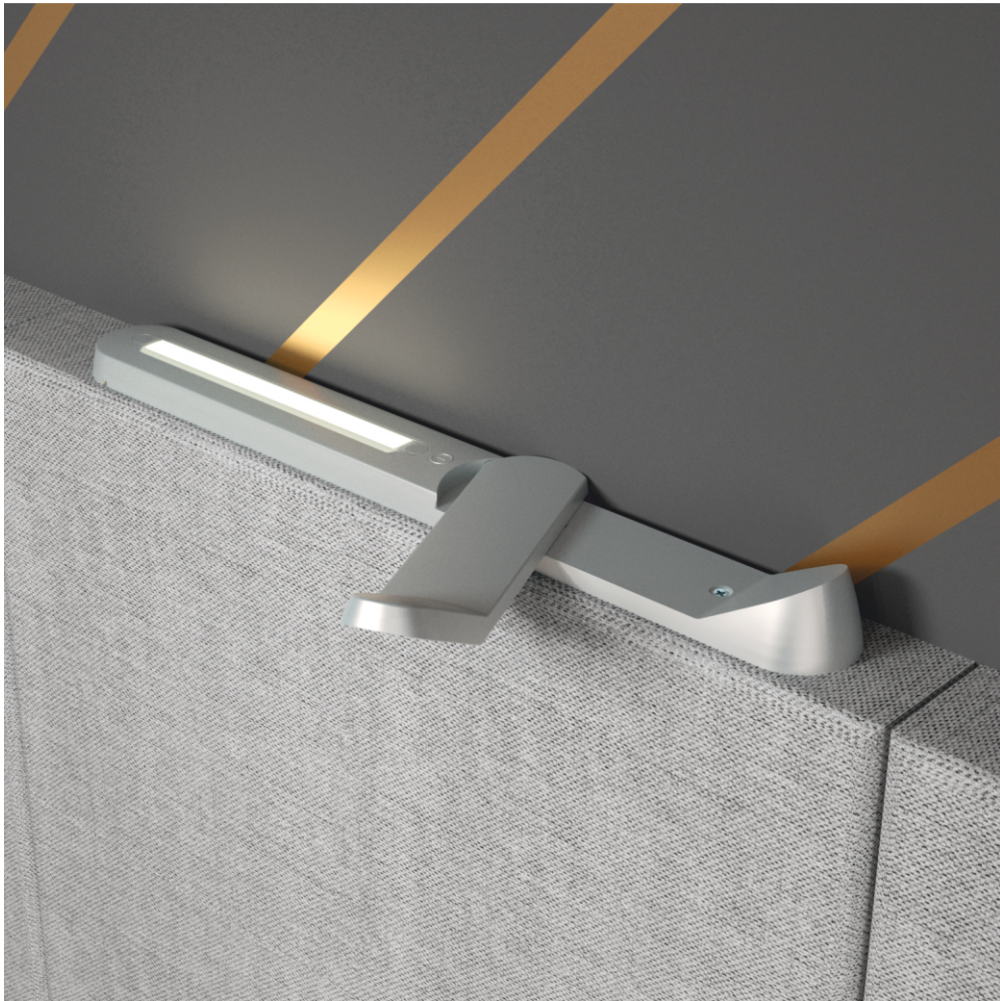


# GABI QP

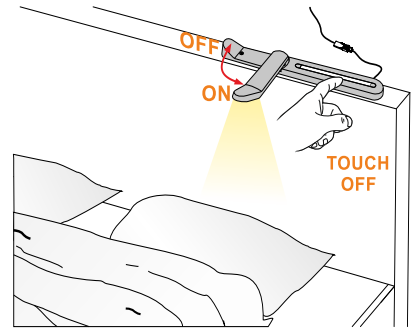
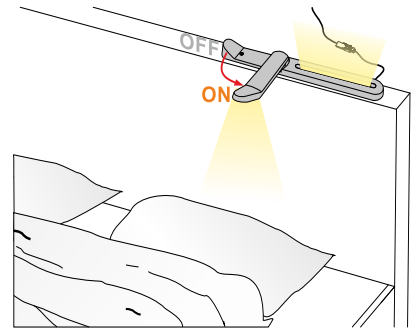
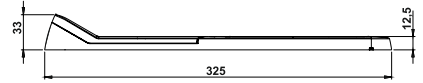


193.5



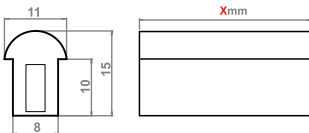


# PEAK



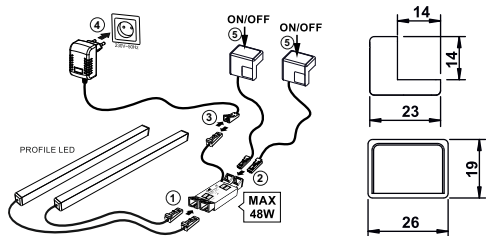
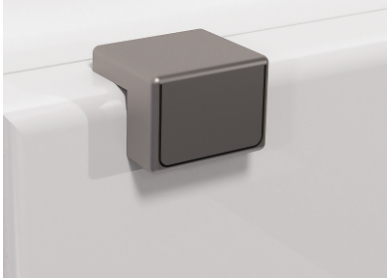
# PROFILES & ACCESSORIES

12VDC  
9,6W/m



<b>CW</b>	5200K - 5700K	500 lm/m	60°C - maximum temperature of the LED strip after installation in the furniture board
<b>NW</b>	3500K - 4000K		
<b>WW</b>	2600K - 3100K		
PINK, YELLOW, RED, GREEN, BLUE, VIOLET		20-100 lm/m	

## BED SWITCH L/DUO

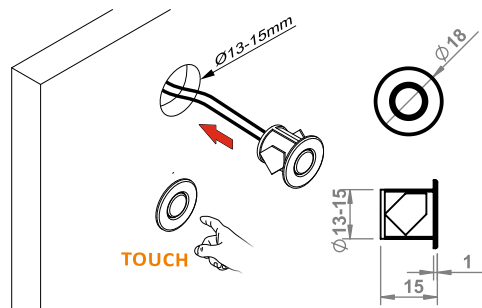
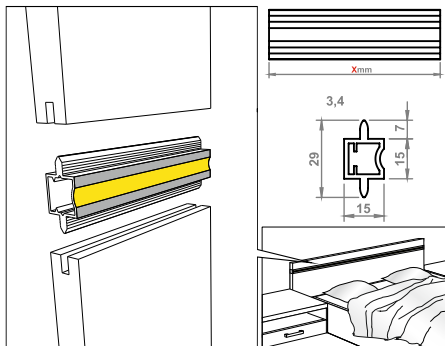


## NEON 8x15 FLEX

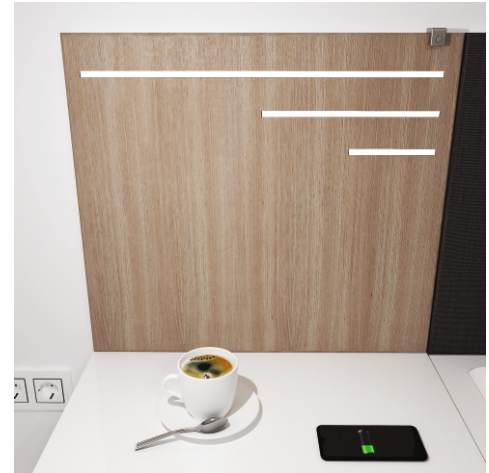




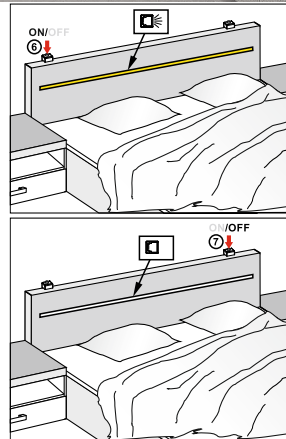
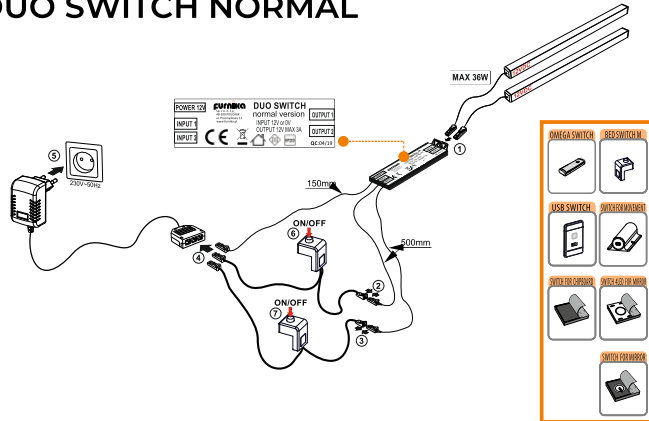
# PROFIL AP 2H



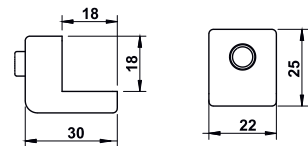
# PROFIL 10x20



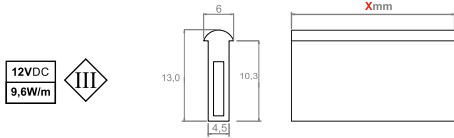
## DUO SWITCH NORMAL



## BED SWITCH M

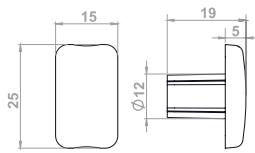
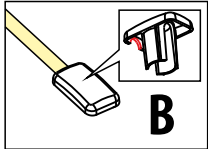
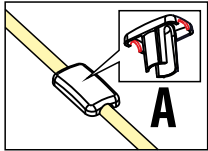
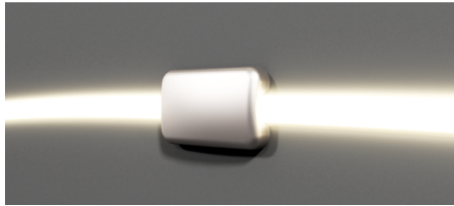


# NEON 5x13 FLEX

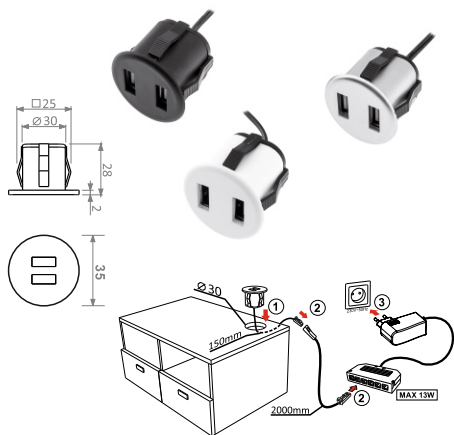


<b>CW</b>	5200K - 5700K	400 lm/m	60°C - maximum temperature of the LED strip after installation in the furniture board
<b>NW</b>	3500K - 4000K		
<b>WW</b>	2600K - 3100K		
PINK, YELLOW, RED, GREEN, BLUE, VIOLET			
		20-100 lm/m	

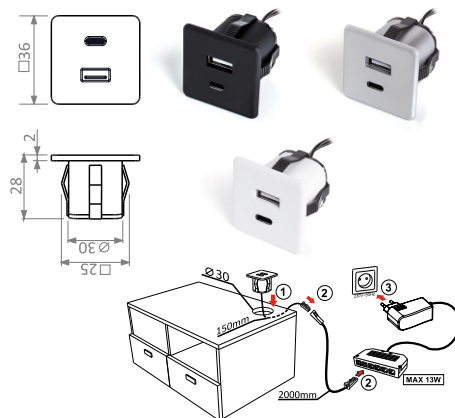
## TOUCH SWITCH FP



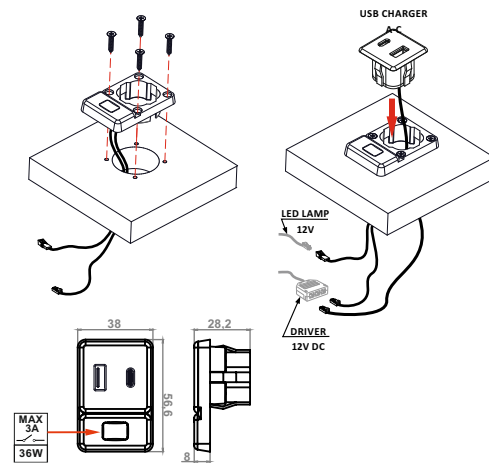
## USB/R CHARGER



## USB CHARGER (AC)



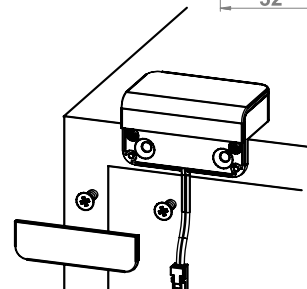
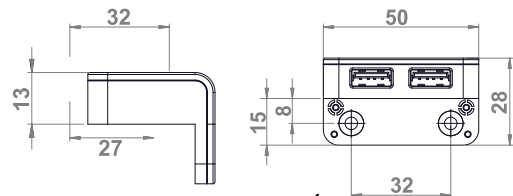
## DOUBLE USB SWITCH (AC)



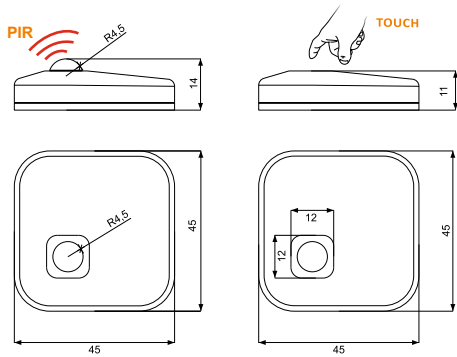


USB/T CHARGER

### USB/T CHARGER AC

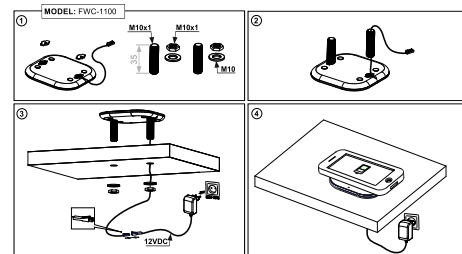
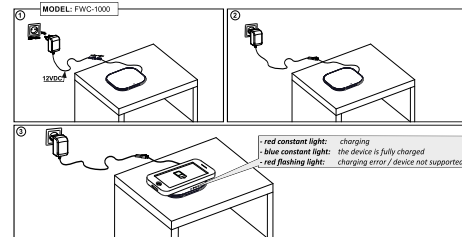
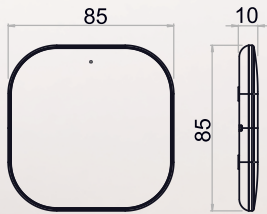


# RF PIR&TOUCH




RF 433 MHz

RF PIR&TOUCH



# Visit us

 FURNIKA Sp. z o.o. S.K.  
ul.Przemysłowa 11,  
48-200 Prudnik, POLAND  
NIP 7551930589

 +48 77 544 91 28

 +48 77 544 91 29

 [info@furnika.pl](mailto:info@furnika.pl)

 [www.furnika.pl](http://www.furnika.pl)

[www.furnika.pl](http://www.furnika.pl)

---